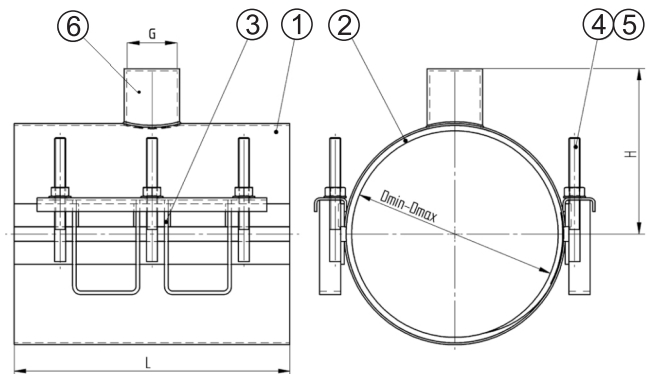
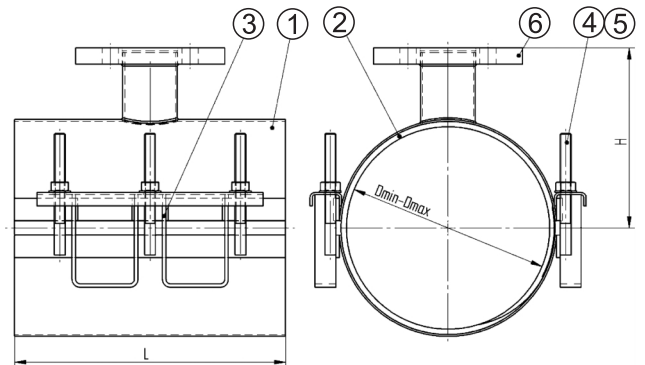




Connection clamp "ETERNO FL and FI"



■ USE:

- For connection of pipelines made of different materials.
- Other sizes of clamps are made to order.
Two-part clamps ensure 20mm tolerance.
Three-part clamps ensure 30mm tolerance.
- Clamps with flanged or threaded outlet for the required diameter of the pipe are made to order.

■ MATERIALS:

- 1 - band - stainless steel 1.4301,
- 2 - gasket - EPDM or NBR rubber,
- 3 - lugs - stainless steel 1.4301,
- 4 - bolts, washers - stainless steel,
- nuts - stainless steel protected with PTFE coating,
- optional: bolts - protected with PTFE coating.

The product has been certified as suitable for contact with potable water.

Standard sizes of clamps

DN	Diameter [mm] Dmin - Dmax	Flange DN	Thread [G]	Length [mm] L	Type	Product code
100	108-128	50-80	1" - 3"	300 - 500	two-parts	
150	159 - 179	50-100	1" - 4"	300 - 500	two-parts	
200	210 - 230	50-150	1" - 4"	300 - 500	two-parts	
225	243 - 263	50-150	1" - 4"	300 - 500	two-parts	
250	270 - 290	50-150	1" - 4"	300 - 500	two-parts	
300	310 - 330	50-150	1" - 4"	300 - 600	two-parts	
350	340 - 360	50-150	1" - 4"	300 - 600	two-parts	
400	410 - 430	50-200	1" - 4"	300 - 600	two-parts	
500	500 - 520	50-200	1" - 4"	300 - 600	two-parts	
600	605 - 635	50-200	1" - 4"	300 - 600	three-parts	
700	705 - 735	50-200	1" - 4"	300 - 600	three-parts	