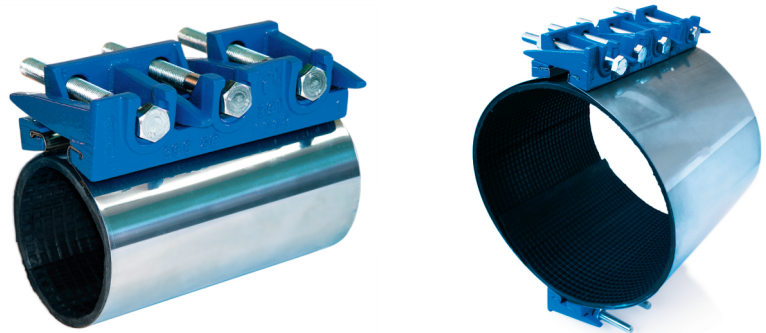
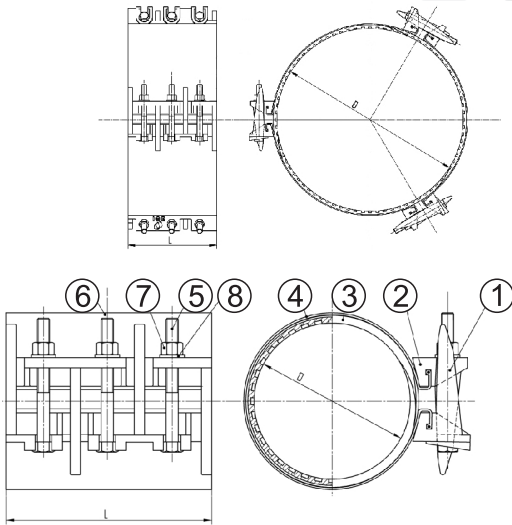




## Wrap around repair clamp „INOXGIS”



### ■ USE:

- For repair of pipelines made of different materials.
- Other sizes of clamps are made to order.

### ■ MATERIALS:

- 1,2 - lugs - ductile cast iron protected with epoxy powder coating,
- 3 - gasket - EPDM or NBR rubber,
- 4 - band - stainless steel,
- 5-8 - bolts,nuts - galvanized steel, optional: stainless steel.

The product has been certified as suitable for contact with potable water.

### Standard sizes of clamps

DN	Diameter [mm] Dmin - Dmax	Weight [kg]			Product code
		Length L=200[mm]	Length L=300[mm]	Length L=400[mm]	
50	60 - 68	4,06	-	-	
60	68 - 78	4,15	6,10	-	
65	78 - 88	4,20	6,20	-	
80	88 - 98	4,25	6,30	8,55	
80	98 - 108	4,40	6,35	8,70	
100	108 - 118	4,50	6,60	8,85	
100	114 - 126	4,55	6,65	9,10	
125	126 - 138	4,75	6,85	9,50	
125	138 - 150	4,75	6,90	9,50	
125	150 - 162	4,80	7,15	9,60	
150	159 - 171	4,90	7,35	9,80	
150	168 - 180	5,05	7,45	10,10	
200	186 - 198	5,20	7,55	10,40	
200	210 - 223	5,35	7,95	10,70	
200	222 - 234	5,40	8,05	10,80	
200	234 - 246	5,50	8,20	11,00	
250	243 - 255	5,60	8,30	11,20	
250	260 - 272	5,80	8,40	11,60	
250	273 - 285	5,90	8,75	11,80	
275	285 - 297	5,95	8,80	11,90	
275	298 - 310	6,15	9,00	12,30	
300	314 - 326	6,25	9,25	12,50	
300	327 - 340	6,40	9,60	12,80	
350	342 - 355	6,70	9,85	12,90	
350	368 - 380	6,85	9,95	13,00	
350	378 - 390	7,10	10,20	13,10	
400	410 - 432	7,50	10,40	13,30	
450	470 - 492	7,90	10,65	13,55	
500	505 - 535	8,40	10,90	13,80	