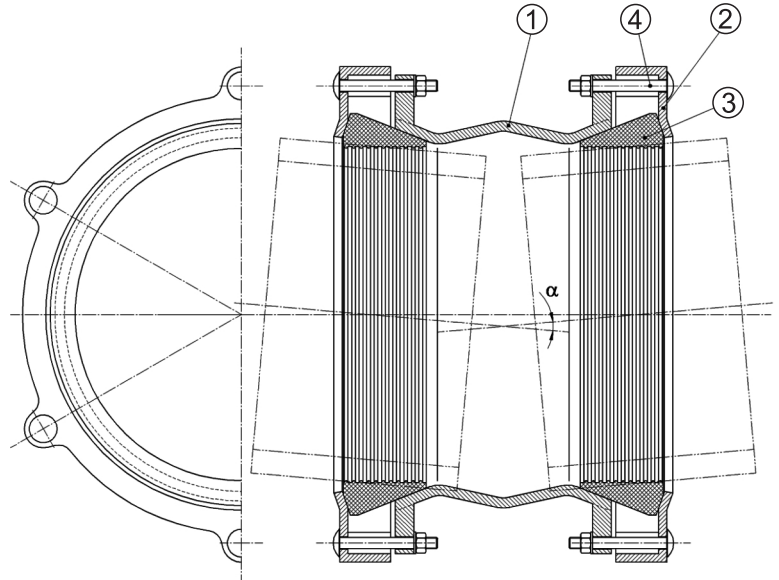




Ultra-wide range coupling "UNIVERSAL GT"






■ USE:

- For connections of pipes made of different materials and different outside diameters.
- The permissible angular deviation of the connected pipes up to 8°.

■ MATERIALS:

- 1,2 - body - ductile cast iron protected with epoxy powder coating,
- 3 - gasket - EPDM or NBR rubber,
- 4 - bolts, nuts and washers - galvanized steel, - optional: stainless steel.

The product has been certified as suitable for contact with potable water.

DN	Diameter [mm] Dmin-Dmax	Weight [kg]	Bolts	Length [mm] L	Product code
50	40 - 75	7,00	6xM14	300	
80	80 - 115	9,00	8xM14	300	
100	105 - 135	10,20	8xM14	300	
150	155 - 195	14,70	8xM14	300	
200	215 - 258	24,00	8xM14	340	
250	270 - 310	26,00	12xM16	360	
300	310 - 350	32,60	12xM16	360	
400	395 - 435	40,00	12xM16	360	
500 	505 - 540	68,00	20xM16	365	
600 	610 - 645	74,00	20xM16	365	
800 	810 - 845	98,00	24xM16	365	