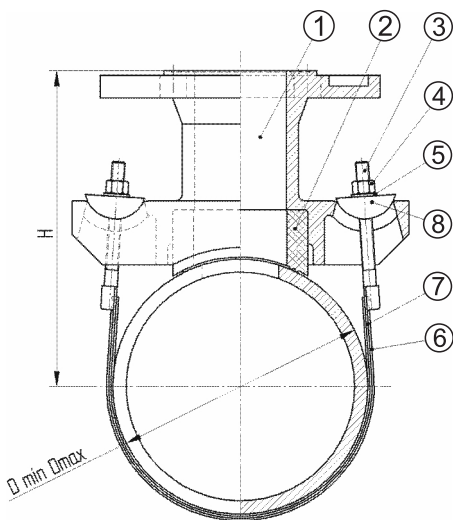




Flanged pipe saddle „RAPIDO FL”



■ USE:

→ For use on cast iron, steel and asbestos cement pipes.

■ MATERIALS:

- 1 - body - ductile cast protected with epoxy powder coating,
- 2 - gasket - EPDM or NBR rubber,
- 3-5 - bolts, nuts and washers - stainless steel,
- 6,7 - straps - stainless steel with rubber protection.
- 8 - washer - galvanized steel,
- optional: stainless steel.

The product has been certified as suitable for contact with potable water.

DN	Diameter [mm] Dmin - Dmax	Flange DN	Length L[mm]	Flange DN	Length L[mm]	Product code
80	80 - 100	50	1/2D+140			
100	100 - 130	50-65	1/2D+140			
125	135 - 160	50-80	1/2D+140			
150	160 - 185	50-100	1/2D+140			
175	175 - 195	50-100	1/2D+140			
200	210 - 245	50-100	1/2D+140			
225	235 - 265	50-100	1/2D+140			
250	260 - 305	50-100	1/2D+140			
300	310 - 360	50-100	1/2D+140	150	1/2D+190	
350	350 - 405	50-100	1/2D+140	150	1/2D+190	
400	400 - 455	50-100	1/2D+140	150	1/2D+190	
450	455 - 510	50-100	1/2D+140	150	1/2D+190	
500	500 - 560	50-100	1/2D+140	150	1/2D+190	
600	610 - 665	50-100	1/2D+140	150	1/2D+190	
700	720 - 780	50-100	1/2D+140	150	1/2D+190	
800	820 - 880	50-100	1/2D+140			
1000	1010 - 1070	50-100	1/2D+140			