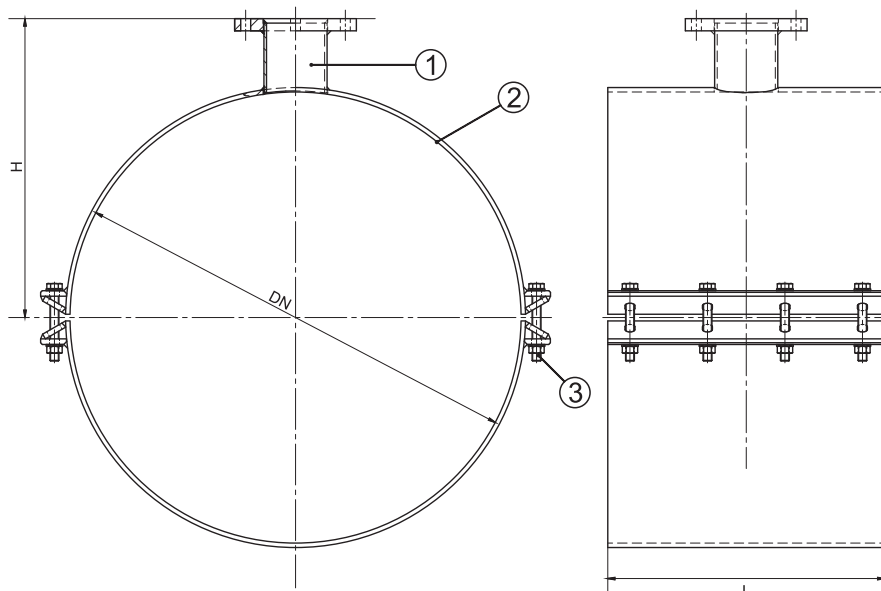




## Steel tapping sleeve „DUEPI FL”



### ■ USE:

- For making a branch outlet from main supply line made of different materials.  
Tolerance for outside dimension of pipe up to +/- 3mm.
- The sleeves are produced exclusively on customer's order

### ■ MATERIALS:

- 1 - body - steel protected with epoxy powder coating,
- 2 - gasket - EPDM or NBR rubber,
- 3 - bolts, nuts - galvanized steel,  
- optional: stainless steel.

The product has been certified as suitable for contact with potable water.

DN	Bolts	DN [mm]	H [mm]	L[mm]	Product code
150	M20X170	50 - 100	225	250-300	
200	M20X170	50 - 150	251	250-350	
250	M20X170	50 - 200	277	250-300	
300	M20X170	50 - 250	303	250-350	
350	M20X170	50 - 300	317	250-550	
400	M20X170	50 - 300	337	250-550	
500	M20X170	50 - 300	394	250-650	
600	M20X170	50 - 400	447	250-750	
700	M20X170	50 - 400	490	250-850	
800	M20X170	50 - 400	550	250-950	