



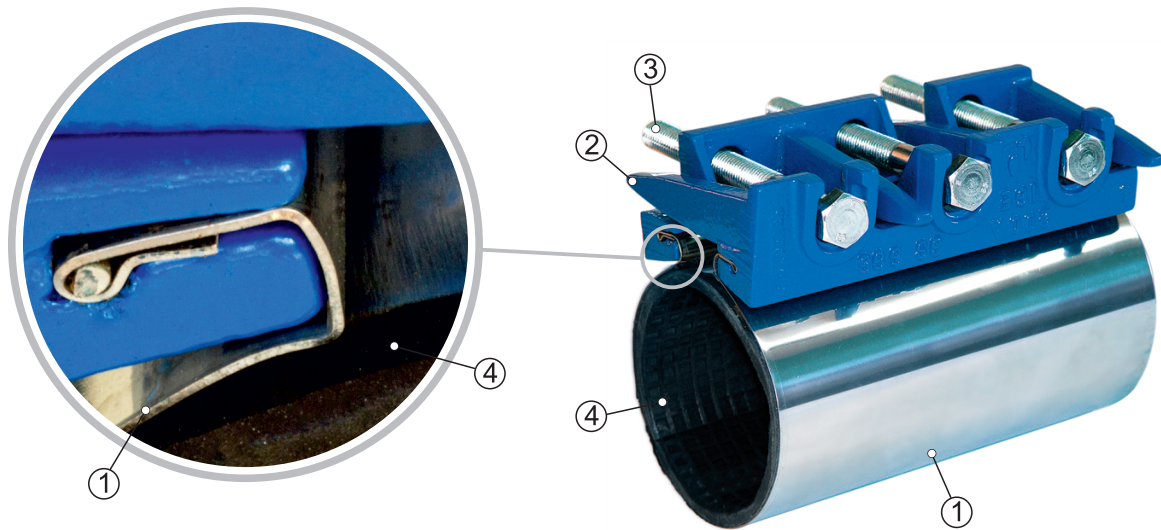
Table of outside diameters of the most popular types of pipes.

- The following table contains outside diameter (OD) depending from nominal size (DN) of the most popular types of pipes. However, note that the actual diameters, especially for older pipelines may show a significant derogation from the standard dimension.

Outside diameters of typical pipes [mm]

DN	Cast Iron	Steel DIN 2448	Steel ISO 559	PCV or PE	AC PN10	AC PN12	GRP resin
32	46	42,5	44,5	40	-	-	-
40	56	51	48,3	50	-	-	-
50	66	57	60,3	63	-	-	-
60	77	-	-	-	-	-	-
65	82	76,1	70	75	-	83	-
70	87	-	-	-	-	-	-
80	98	88,9	88,9	90	98	100	-
90	108	-	-	-	-	-	-
100	118	108	114,3	110/125	120	126	-
125	144	133	139,7	140	149	153	168
150	170	159	168,3	160/180	178	184	-
175	196	191	193,7	180	-	-	-
200	222	216	219,1	225/200	236	244	220
225	246	241	-	-	-	-	-
250	274	267	273	280/250	288	300	272
275	300	292	-	280	-	-	-
300	326	318	323,9	315	346	360	324
325	352	343	-	-	-	-	-
350	378	368	355,6	355	404	420	376
375	403	394	-	-	-	-	-
400	429	419	406,4	400	480	488	401/427
425	454	-	-	-	-	-	-
450	480	470	457,2	450	-	-	-
475	506	-	-	-	-	-	-
500	532	521	508	500	565	582	501/530
525	557	-	-	-	-	-	-
550	583	-	-	560	-	-	-
600	634	622	609,6	630	678	698	616
650	686	-	-	-	-	-	-
700	738	720	711,2	710	-	-	-
750	790	-	-	-	-	-	718
800	842	820	812,8	800	-	-	820
900	945	920	914,4	-	-	-	924
1000	1048	1020	1016	1000	-	-	1026
1100	1152	1120	-	-	-	-	1099
1200	1256	1220	1219,2	-	-	-	1279

Wrap around repair clamp „INOXGIS”

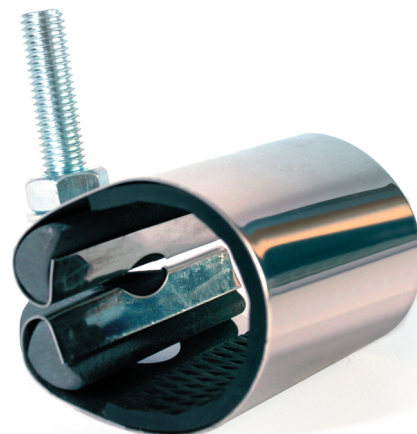


■ USE:

- For repair of pipelines made of different materials.

■ MATERIALS:

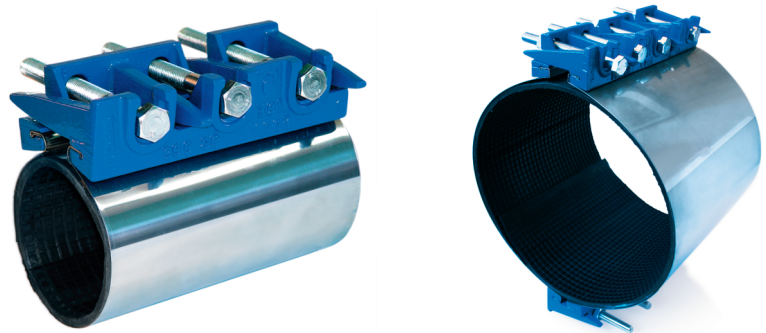
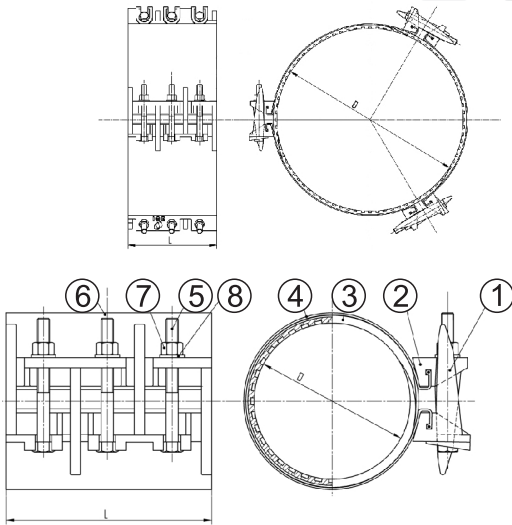
- 1 - band - stainless steel,
- 2 - lugs - heavy duty ductile cast iron protected with epoxy powder coating; lugs provide uniform pressure along full length of clamp,
- 3 - bolts, nuts - galvanized steel, optional: stainless steel,
- 4 - gasket - stainless steel sheet bonded into EPDM or NBR rubber.



The product has been certified as suitable for contact with potable water.



Wrap around repair clamp „INOXGIS”



■ USE:

- For repair of pipelines made of different materials.
- Other sizes of clamps are made to order.

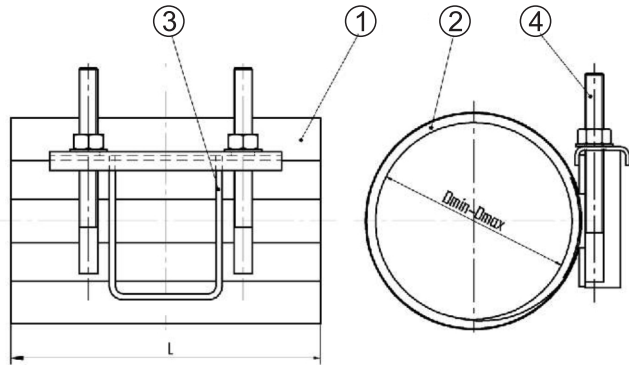
■ MATERIALS:

- 1,2 - lugs - ductile cast iron protected with epoxy powder coating,
- 3 - gasket - EPDM or NBR rubber,
- 4 - band - stainless steel,
- 5-8 - bolts,nuts - galvanized steel, optional: stainless steel.

The product has been certified as suitable for contact with potable water.

Standard sizes of clamps

DN	Diameter [mm] Dmin - Dmax	Weight [kg]			Product code
		Length L=200[mm]	Length L=300[mm]	Length L=400[mm]	
50	60 - 68	4,06	-	-	
60	68 - 78	4,15	6,10	-	
65	78 - 88	4,20	6,20	-	
80	88 - 98	4,25	6,30	8,55	
80	98 - 108	4,40	6,35	8,70	
100	108 - 118	4,50	6,60	8,85	
100	114 - 126	4,55	6,65	9,10	
125	126 - 138	4,75	6,85	9,50	
125	138 - 150	4,75	6,90	9,50	
125	150 - 162	4,80	7,15	9,60	
150	159 - 171	4,90	7,35	9,80	
150	168 - 180	5,05	7,45	10,10	
200	186 - 198	5,20	7,55	10,40	
200	210 - 223	5,35	7,95	10,70	
200	222 - 234	5,40	8,05	10,80	
200	234 - 246	5,50	8,20	11,00	
250	243 - 255	5,60	8,30	11,20	
250	260 - 272	5,80	8,40	11,60	
250	273 - 285	5,90	8,75	11,80	
275	285 - 297	5,95	8,80	11,90	
275	298 - 310	6,15	9,00	12,30	
300	314 - 326	6,25	9,25	12,50	
300	327 - 340	6,40	9,60	12,80	
350	342 - 355	6,70	9,85	12,90	
350	368 - 380	6,85	9,95	13,00	
350	378 - 390	7,10	10,20	13,10	
400	410 - 432	7,50	10,40	13,30	
450	470 - 492	7,90	10,65	13,55	
500	505 - 535	8,40	10,90	13,80	



USE:

- For repair of pipelines made of different materials.
- Other sizes of clamps are made to order.
- One-part clamps ensure 10mm tolerance.
- Two-part clamps ensure 20mm tolerance.
- Three-part clamps ensure 30mm tolerance.
- Clamps with flanged or threaded outlet for the required diameter of the pipe are made to order.

MATERIALS:

- 1 - band - stainless steel 1.4301,
- 2 - gasket - EPDM or NBR rubber,
- 3 - lugs - stainless steel 1.4301,
- 4 - bolts, washers - stainless steel,
 - nuts - stainless steel protected with PTFE coating,
 - optional: bolts - protected with PTFE coating.

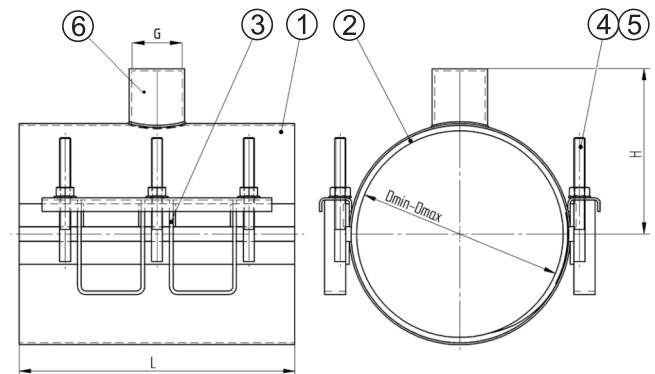
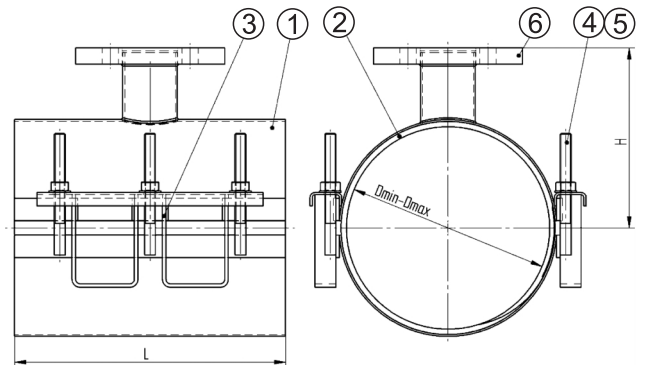
The product has been certified as suitable for contact with potable water.

Standard sizes of clamps

DN	Diameter [mm] Dmin - Dmax	Weight [kg]	Bolts	Length [mm] L	Type	Product code
50	60 - 68	1,60	2	200	one-part	
80	88 - 98	1,85	2	200	one-part	
100	108 - 118	2,10	2	200	one-part	
125	138 - 150	2,30	2	200	one-part	
150	159 - 171	2,50	2	200	one-part	
175	186 - 198	2,70	2	200	one-part	
200	210 - 223	3,00	2	200	one-part	
200	222 - 234	3,10	2	200	one-part	
250	260 - 272	3,20	2	200	one-part	
250	273 - 285	3,50	2	200	one-part	
300	314 - 326	3,85	2	200	one-part	
300	342 - 355	4,20	2	200	one-part	
350	368 - 380	4,10	2	200	one-part	



Connection clamp "ETERNO FL and FI"



■ USE:

- For connection of pipelines made of different materials.
- Other sizes of clamps are made to order. Two-part clamps ensure 20mm tolerance. Three-part clamps ensure 30mm tolerance.
- Clamps with flanged or threaded outlet for the required diameter of the pipe are made to order.

■ MATERIALS:

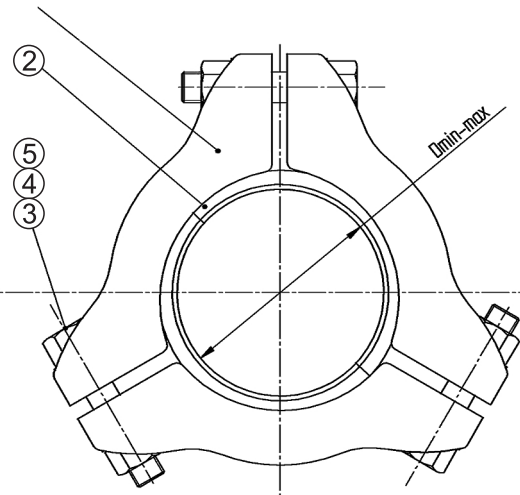
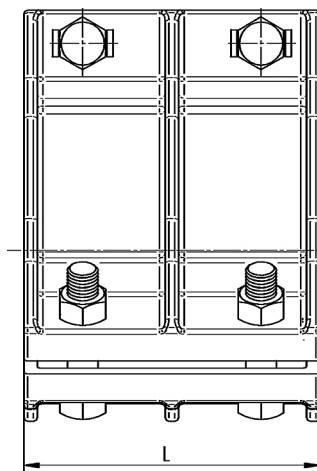
- 1 - band - stainless steel 1.4301,
- 2 - gasket - EPDM or NBR rubber,
- 3 - lugs - stainless steel 1.4301,
- 4 - bolts, washers - stainless steel,
 - nuts - stainless steel protected with PTFE coating,
 - optional: bolts - protected with PTFE coating.

The product has been certified as suitable for contact with potable water.

Standard sizes of clamps

DN	Diameter [mm] Dmin - Dmax	Flange DN	Thread [G]	Length [mm] L	Type	Product code
100	108-128	50-80	1" - 3"	300 - 500	two-parts	
150	159 - 179	50-100	1" - 4"	300 - 500	two-parts	
200	210 - 230	50-150	1" - 4"	300 - 500	two-parts	
225	243 - 263	50-150	1" - 4"	300 - 500	two-parts	
250	270 - 290	50-150	1" - 4"	300 - 500	two-parts	
300	310 - 330	50-150	1" - 4"	300 - 600	two-parts	
350	340 - 360	50-150	1" - 4"	300 - 600	two-parts	
400	410 - 430	50-200	1" - 4"	300 - 600	two-parts	
500	500 - 520	50-200	1" - 4"	300 - 600	two-parts	
600	605 - 635	50-200	1" - 4"	300 - 600	three-parts	
700	705 - 735	50-200	1" - 4"	300 - 600	three-parts	

Split collar (three parts) "TREPI"



■ USE:

- For connections and repairs pipes made of different materials (except PE).

■ MATERIALS:

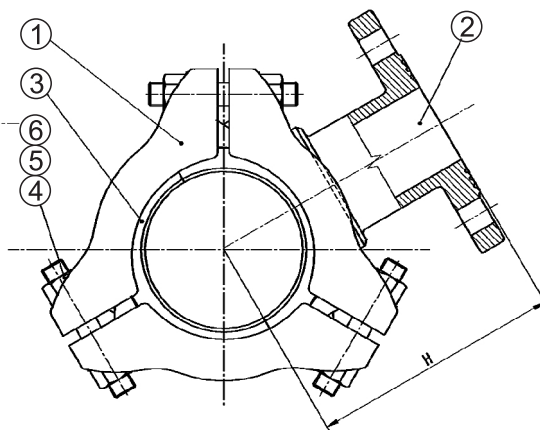
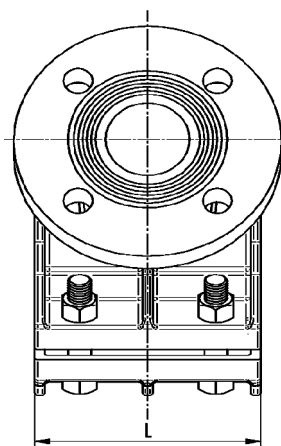
- 1 - body - ductile cast iron protected with epoxy powder coating,
- 2 - gasket - EPDM or NBR rubber,
- 3-5 - nuts, bolts - galvanized steel, - optional: stainless steel.

The product has been certified as suitable for contact with potable water.

DN	Diameter [mm] Dmin - Dmax	Weight [kg]	Bolts	Length L [mm]	Product code
40	48 - 54	3,80	6xM12	120	
60	65 - 82	8,00	6xM12	140	
80	87 - 106	9,50	6xM16	170	
100	108 - 126	11,50	6xM16	170	
125	135 - 160	19,00	6xM16	185	
150	159 - 184	18,00	6xM16	220	
175	190 - 220	20,00	9xM16	275	
200	210 - 240	23,00	9xM16	275	
225	240 - 255	24,00	9xM16	280	
250	250 - 288	60,00	9xM20	365	
275	290 - 312	65,00	9xM20	365	
300	312-345 or 302-335	72,00	12XM20	420	
350	360-390 or 350-380	90,00	12XM20	425	
400	410-460 or 400-450	107,00	12XM20	430	
450	460-510 or 450-500	115,00	12XM20	420	
500	510-570 or 500-560	130,00	12XM20	420	
550	570-620 or 560-610	135,00	12XM20	420	
600	620-680 or 610-670	140,00	12XM20	420	
700	730-800 or 720-790	160,00	12XM20	420	
800	810-860 or 800-850	180,00	12XM20	420	



Split collar (three parts) „TREPI FL” with flanged outlet



■ USE:

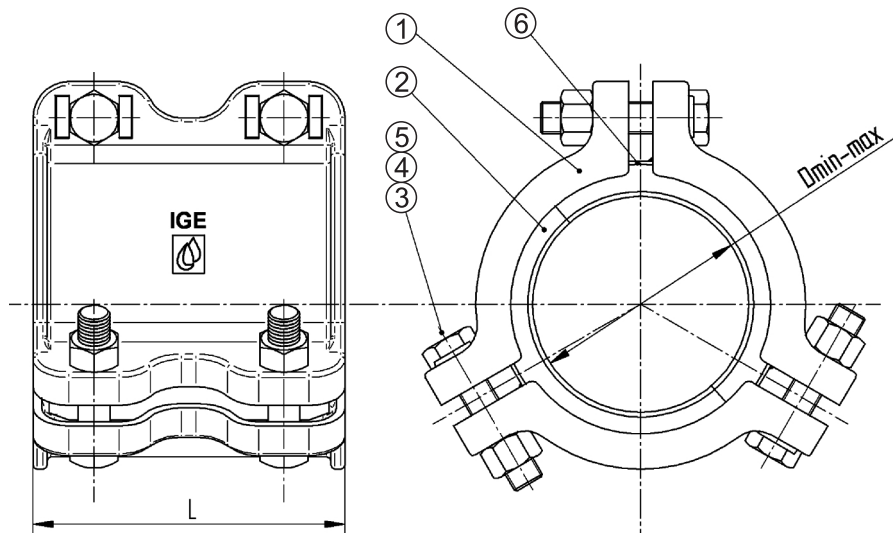
- For mounting on a pipeline to create a diversion. For the drilling of pipes made of different materials (except PE).

■ MATERIALS:

- 1,2 - body - ductile cast iron protected with epoxy powder coating,
- 3 - gasket - EPDM or NBR rubber,
- 4-6 - nuts, bolts - galvanized steel, - optional: stainless steel.

The product has been certified as suitable for contact with potable water.

DN	Diameter [mm] Dmin - Dmax	Weight [kg]	Bolts	Length L [mm]	Flange DN	H [mm]	Product code
80	87 - 106	14,50	6xM16	170	50-60	1/2D+190	
100	108 - 126	16,50	6xM16	170	50-80	1/2D+190	
125	135 - 160	24,00	6xM16	185	50-100	1/2D+190	
150	159 - 184	25,00	6xM16	220	50-125	1/2D+190	
175	190 - 220	26,00	9xM16	275	50-150	1/2D+190	
200	210 - 240	31,00	9xM16	275	50-150	1/2D+190	
225	240 - 255	32,00	9xM16	280	50-150	1/2D+190	
250	250 - 288	68,00	9xM20	365	50-150	1/2D+190	
275	290 - 312	75,00	9xM20	365	50-150	1/2D+190	
300	312-345 or 302-335	82,00	12XM20	420	50-150	1/2D+190	
350	360-390 or 350-380	100,00	12XM20	425	50-150	1/2D+190	
400	410-460 or 400-450	117,00	12XM20	430	50-150	1/2D+190	
450	460-510 or 450-500	125,00	12XM20	420	50-200	1/2D+190	
500	510-570 or 500-560	140,00	12XM20	420	50-200	1/2D+190	
550	570-620 or 560-610	145,00	12XM20	420	50-200	1/2D+190	
600	620-680 or 610-670	150,00	12XM20	420	50-200	1/2D+190	
700	730-800 or 720-790	170,00	12XM20	420	50-200	1/2D+190	
800	810-860 or 800-850	190,00	12XM20	420	50-200	1/2D+190	



USE:

- For connections and repairs pipes made of different materials (except PE).

MATERIALS:

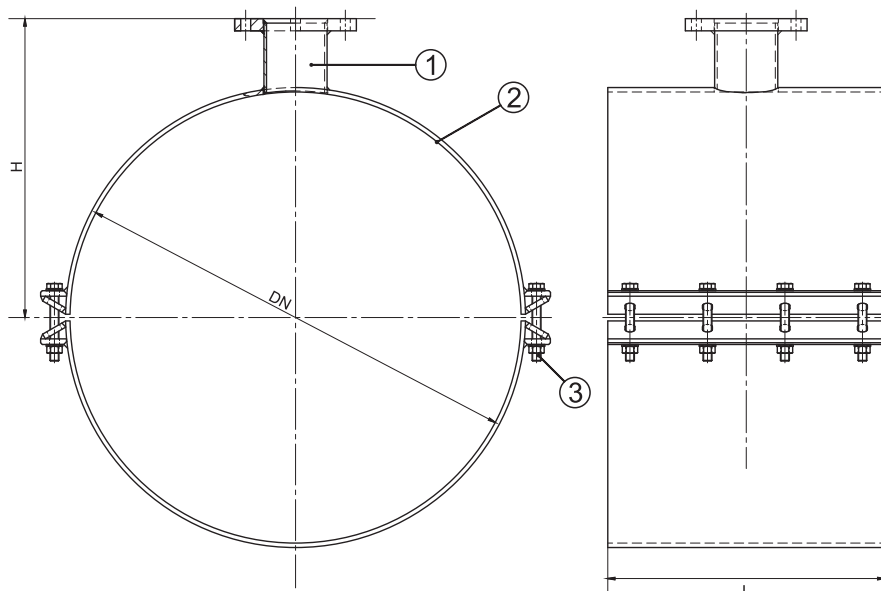
- 1 - body - ductile cast iron protected with epoxy powder coating,
- 2 - gasket - EPDM or NBR rubber,
- 3-5 - bolts, nuts and washers - galvanized steel, - optional: stainless steel.

The product has been certified as suitable for contact with potable water.

DN	Diameter [mm] Dmin - Dmax	Weight [kg]	Bolts	Length [mm] L	Product code
80	87 - 106	9,50	6xM16	170	
100	108 - 126	11,50	6xM16	170	
150	159 - 184	18,00	6xM16	235	
200	210 - 240	23,00	9xM16	250	
250	250 - 288	49,00	9xM20	370	
300	312 - 345	55,00	9xM20	370	



Steel tapping sleeve „DUEPI FL”



■ USE:

→ For making a branch outlet from main supply line made of different materials.
Tolerance for outside dimension of pipe up to +/- 3mm.

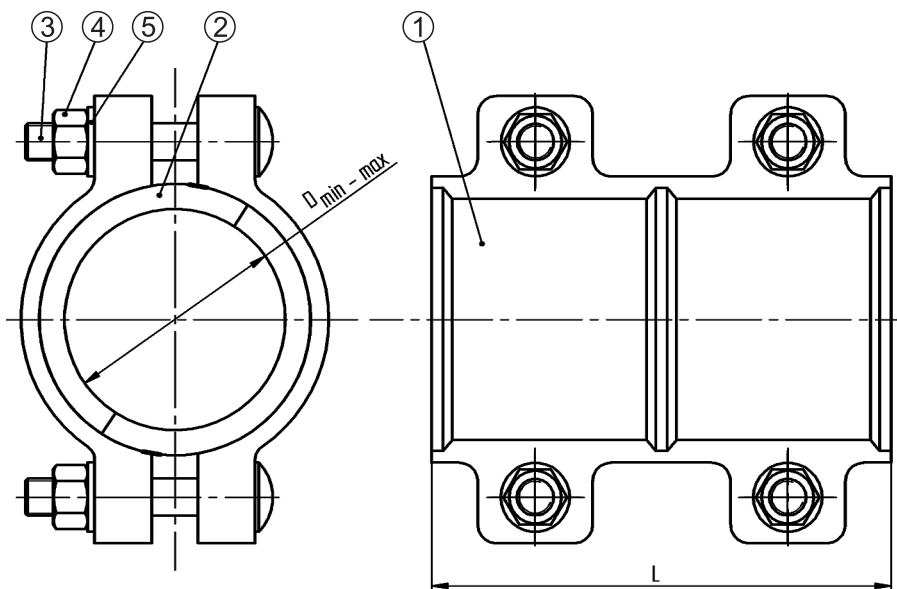
→ The sleeves are produced exclusively on customer's order

■ MATERIALS:

- 1 - body - steel protected with epoxy powder coating,
- 2 - gasket - EPDM or NBR rubber,
- 3 - bolts, nuts - galvanized steel,
- optional: stainless steel.

The product has been certified as suitable for contact with potable water.

DN	Bolts	DN [mm]	H [mm]	L[mm]	Product code
150	M20X170	50 - 100	225	250-300	
200	M20X170	50 - 150	251	250-350	
250	M20X170	50 - 200	277	250-300	
300	M20X170	50 - 250	303	250-350	
350	M20X170	50 - 300	317	250-550	
400	M20X170	50 - 300	337	250-550	
500	M20X170	50 - 300	394	250-650	
600	M20X170	50 - 400	447	250-750	
700	M20X170	50 - 400	490	250-850	
800	M20X170	50 - 400	550	250-950	


■ USE:

- For connections and repairs steel pipes.

■ MATERIALS:

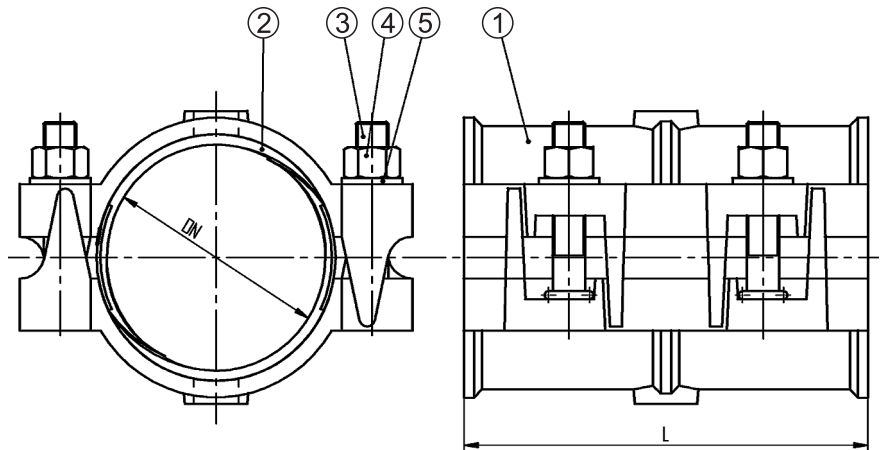
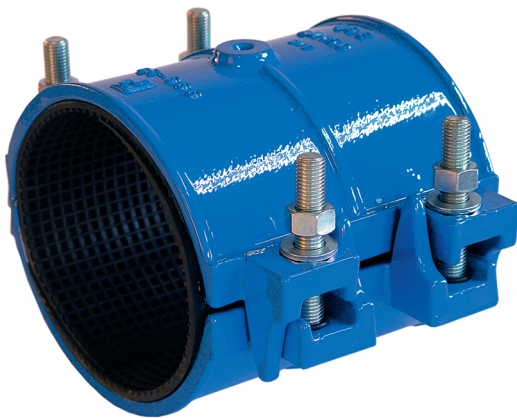
- 1 - body - ductile cast iron protected with epoxy powder coating,
- 2 - gasket - EPDM or NBR rubber,
- 3-5 - nuts, bolts and washers - galvanized steel, - optional: stainless steel.

The product has been certified as suitable for contact with potable water.

DN	Diameter [mm] Dmin - Dmax	Weight [kg]	Bolts	Length [mm] L	Product code
15	20 - 23	2,00	4xM12	120	
20	25 - 28	2,30	4xM12	120	
25	31 - 35	2,60	4xM12	120	
32	41 - 45	3,00	4xM12	135	
40	48 - 52	3,50	4xM12	140	
50	57 - 61	3,60	4xM12	140	
65	69 - 75	5,30	6xM12	200	



Split collar (two-parts) "DUEPI" DN65-DN1200



■ USE:

- For connections and repairs pipes made of different materials.
- DN200 - DN1200 made of structural steel.

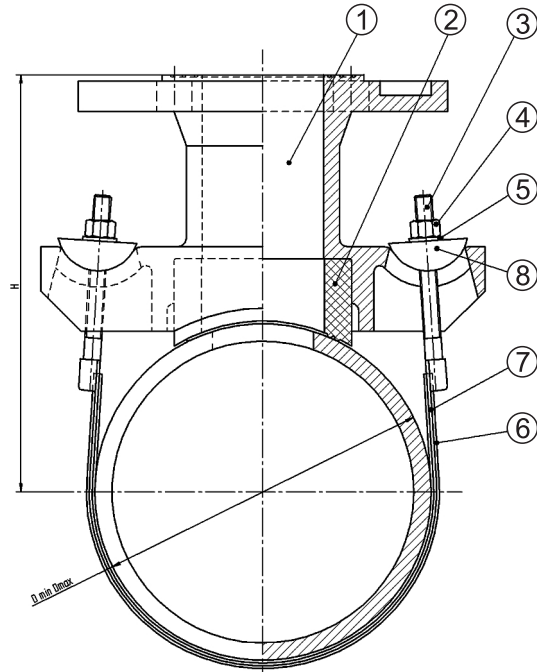
■ MATERIALS:

- 1 - body - ductile cast iron protected with epoxy powder coating,
- 2 - gasket - EPDM or NBR rubber,
- 3-5 - nuts, bolts and washers - galvanized steel, - optional: stainless steel.

The product has been certified as suitable for contact with potable water.

DN	Diameter [mm] Dmin - Dmax	Weight [kg]	Bolts	Length [mm] L	Product code
65	75 - 84	6,00	4xM12	200	
80	92 - 103	6,50	4xM16	200	
100	115 - 126	7,10	4xM16	200	
125	141 - 154	8,00	4xM16	200	
150	166 - 182	9,50	4xM16	200	
200	216 - 226	11,00	4xM16	200	

Flanged pipe saddle "RAPIDO 80-500 DN50"





■ USE:

- For use on cast iron, steel and asbestos cement pipes.

■ MATERIALS:

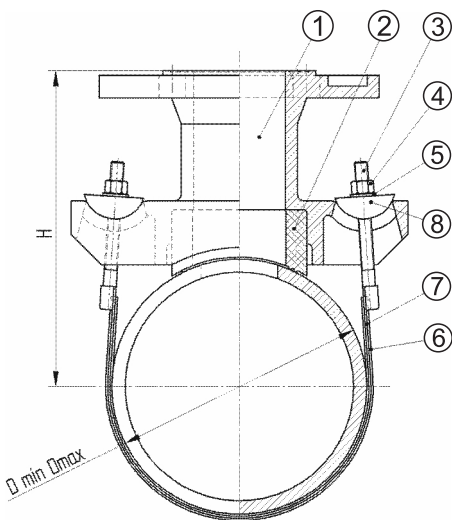
- 1 - body - ductile cast iron protected with epoxy powder coating,
- 2 - gasket - EPDM or NBR rubber,
- 3-5 - bolts, nuts and washers - stainless steel,
- 6,7 - straps - stainless steel with rubber protection,
- 8 - washer - galvanized steel,
- optional: stainless steel.

The product has been certified as suitable for contact with potable water.

DN	Diameter [mm] Dmin-Dmax	Weight [kg]	Flange DN	H [mm]	Product code
80	87 - 100	5,55	50-65	1/2D + 120	
100	105 - 125	5,60	50-65	1/2D + 120	
125	130 - 145	5,65	50-65	1/2D + 120	
150	157 - 180	5,70	50-65	1/2D + 120	
175	175 - 200	5,75	50-65	1/2D + 120	
200	215 - 245	5,80	50-65	1/2D + 120	
225	240 - 265	5,90	50-65	1/2D + 120	
250	265 - 295	6,00	50-65	1/2D + 120	
300	318 - 355	6,10	50-65	1/2D + 120	
400		6,20	50-65	1/2D + 120	
500		6,20	50-65	1/2D + 120	



Flanged pipe saddle „RAPIDO FL”



■ USE:

→ For use on cast iron, steel and asbestos cement pipes.

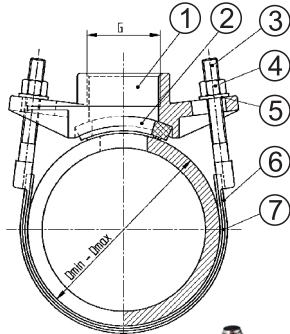
■ MATERIALS:

- 1 - body - ductile cast protected with epoxy powder coating,
- 2 - gasket - EPDM or NBR rubber,
- 3-5 - bolts, nuts and washers - stainless steel,
- 6,7 - straps - stainless steel with rubber protection.
- 8 - washer - galvanized steel,
- optional: stainless steel.

The product has been certified as suitable for contact with potable water.

DN	Diameter [mm] Dmin - Dmax	Flange DN	Length L[mm]	Flange DN	Length L[mm]	Product code
80	80 - 100	50	1/2D+140			
100	100 - 130	50-65	1/2D+140			
125	135 - 160	50-80	1/2D+140			
150	160 - 185	50-100	1/2D+140			
175	175 - 195	50-100	1/2D+140			
200	210 - 245	50-100	1/2D+140			
225	235 - 265	50-100	1/2D+140			
250	260 - 305	50-100	1/2D+140			
300	310 - 360	50-100	1/2D+140	150	1/2D+190	
350	350 - 405	50-100	1/2D+140	150	1/2D+190	
400	400 - 455	50-100	1/2D+140	150	1/2D+190	
450	455 - 510	50-100	1/2D+140	150	1/2D+190	
500	500 - 560	50-100	1/2D+140	150	1/2D+190	
600	610 - 665	50-100	1/2D+140	150	1/2D+190	
700	720 - 780	50-100	1/2D+140	150	1/2D+190	
800	820 - 880	50-100	1/2D+140			
1000	1010 - 1070	50-100	1/2D+140			

Threaded pipe saddle "RAPIDO"

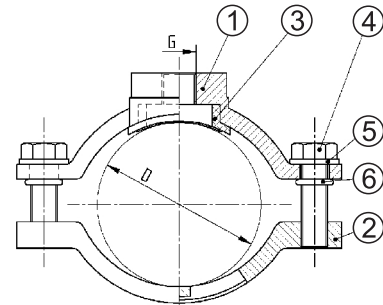


■ USE:

→ For use on cast iron, steel and asbestos cement pipes.

■ MATERIALS:

- 1 - body - ductile cast iron protected with epoxy powder coating,
- 2 - gasket - EPDM or NBR rubber,
- 3-5 - bolts, nuts and washers - stainless steel,
- 6,7 - straps - stainless steel with rubber protection.



■ USE:

→ For use on pipes made of different materials.

■ MATERIALS:

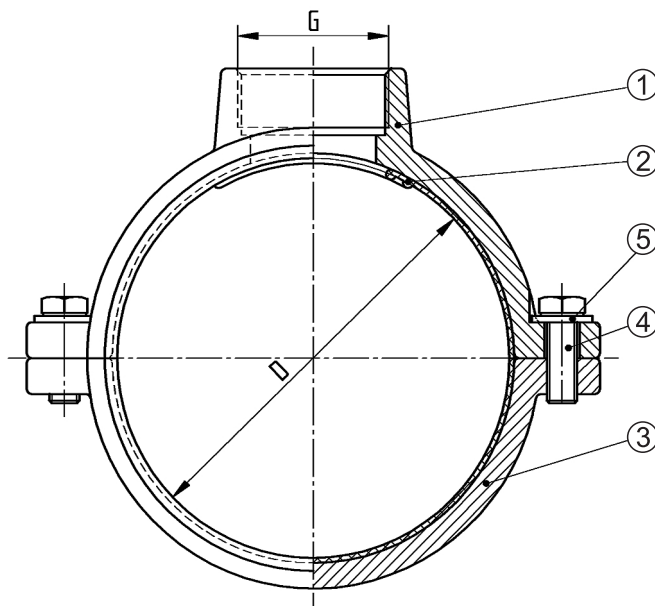
- 1,2 - body - ductile cast iron protected with epoxy powder coating,
 - 3 - gasket - EPDM or NBR rubber,
 - 4,5 - bolts and washers - galvanized steel,
 - 6 - o - ring - EPDM or NBR rubber.
- Cylindrical thread according to ISO 228/1

The product has been certified as suitable for contact with potable water.

DN	Diameter [mm] Dmin - Dmax	Weight [kg]	Thread [G]	Number of straps	Product code	DN	Diameter [mm] Dmin - Dmax	Weight [kg]	Thread [G]	Product code
50	60 - 78	0,90	1" - 1½"	1		50	59 - 71	1,00	2"	
65	70 - 88	0,90	1" - 1½"	1		65	69 - 88	1,55	2"	
80	90 - 110	1,70	1" - 2"	1		80	88 - 109	1,23	2"	
100	100 - 130	1,80	1" - 2"	1		100	107 - 128	1,45	2"	
125	135 - 160	1,85	1" - 2"	1 or 2		125	132 - 152	1,60	2"	
150	160 - 185	1,90	1" - 2"	1 or 2		150	158 - 182	1,96	2"	
175	175 - 196	2,00	1" - 2"	1 or 2		200	217 - 234	2,20	2"	
200	210 - 245	2,20	1" - 2"	1 or 2		225	240 - 267	2,30	2"	
225	235 - 265	2,50	1" - 2"	1 or 2		250	270 - 288	2,50	2"	
250	260 - 305	3,20	1" - 2"	1 or 2		300	311 - 336	2,90	2"	
300	310 - 360	3,50	1" - 2"	1 or 2						
400	400 - 455	4,20	1" - 2"	1 or 2						
500	500 - 560	10,00	1" - 2"	2						
600	610 - 655	11,50	1" - 2"	2						



Threaded saddle for plastic pipes "RAPIDO PE/BF"



■ USE:

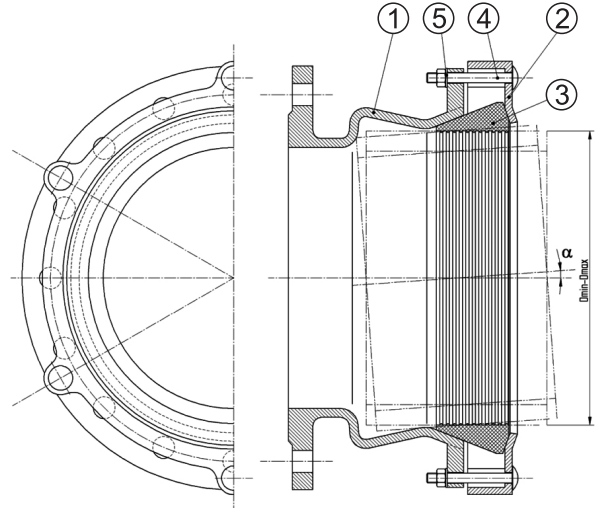
→ For use on PE/PVC pipes.

■ MATERIALS:

- 1,2 - body - ductile cast iron protected with epoxy powder coating,
- 3 - gasket - EPDM rubber,
- 4-5 - bolts and washers - stainless steel.

The product has been certified as suitable for contact with potable water.

Diameter [mm] D	Wieght [kg]	Thread G	Length [mm] L	Product code
40	1,43	3/4"-1"	100	
50	1,65	3/4"-1 1/2"	100	
63	1,98	3/4"-1"	100	
75	2,28	3/4"-1"	110	
90	2,60	3/4"-2"	120	
110	3,55	3/4"-2"	120	
125	4,38	3/4"-2"	120	
140	4,85	3/4"-3"	140	
160	5,72	3/4"-4"	150	
180	9,40	3/4"-4"	180	
200	11,20	3/4"-4"	180	
225	11,60	3/4"-3"	180	
250	10,60	1"-4"	180	
280	11,50	2" or 4"	180	
315	12,80	1 1/2"-4"	180	






USE:

- For connections of pipes made of different materials and different outside diameters.
- The permissible angular deviation of the connected pipes up to 8°.

MATERIALS:

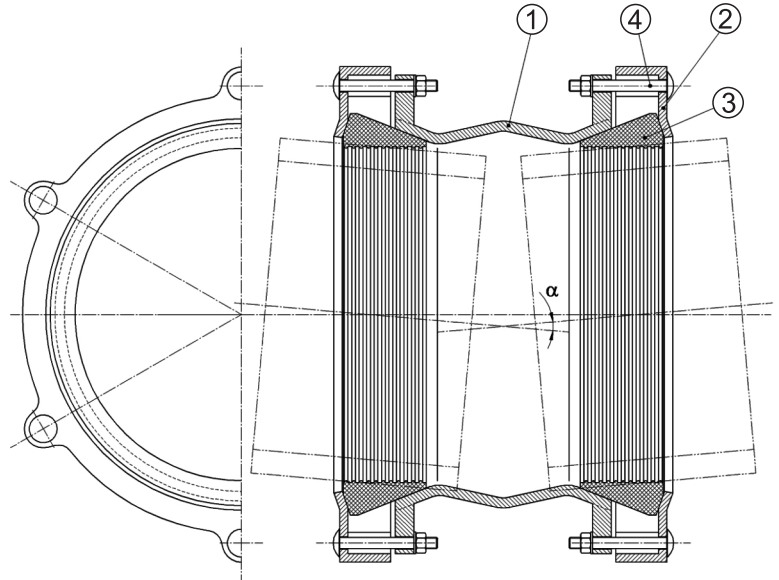
- 1,2 - body - ductile cast iron protected with epoxy powder coating,
- 3 - gasket - EPDM or NBR rubber,
- 4,5 - bolts,nuts and washers - galvanized steel, - optional: stainless steel.

The product has been certified as suitable for contact with potable water.

DN	Diameter [mm] Dmin-Dmax	Weight [kg]	Bolts	Length [mm] L	Product code
40/50	40 - 75	7,00	3xM14	200	
80	80 - 115	9,00	4xM14	240	
100	105 - 135	15,00	4xM14	240	
150	155 - 195	24,00	4xM16	270	
200	215 - 258	30,00	6xM14	270	
250	270 - 310	39,00	6xM16	290	
300	310 - 350	49,00	6xM16	290	
400	395 - 435	62,00	6xM16	300	
500 	505 - 540	80,00	10xM16	240	
600 	610 - 645	95,00	10xM16	240	
800 	810 - 845	100,00	12xM16	240	



Ultra-wide range coupling "UNIVERSAL GT"






■ USE:

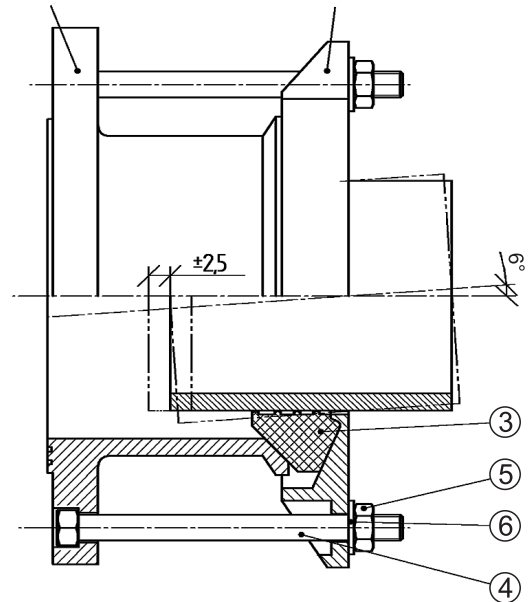
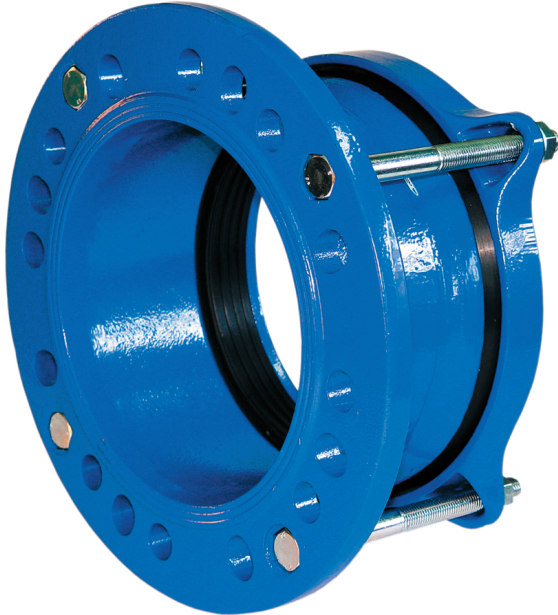
- For connections of pipes made of different materials and different outside diameters.
- The permissible angular deviation of the connected pipes up to 8°.

■ MATERIALS:

- 1,2 - body - ductile cast iron protected with epoxy powder coating,
- 3 - gasket - EPDM or NBR rubber,
- 4 - bolts, nuts and washers - galvanized steel, - optional: stainless steel.

The product has been certified as suitable for contact with potable water.

DN	Diameter [mm] Dmin-Dmax	Weight [kg]	Bolts	Length [mm] L	Product code
50	40 - 75	7,00	6xM14	300	
80	80 - 115	9,00	8xM14	300	
100	105 - 135	10,20	8xM14	300	
150	155 - 195	14,70	8xM14	300	
200	215 - 258	24,00	8xM14	340	
250	270 - 310	26,00	12xM16	360	
300	310 - 350	32,60	12xM16	360	
400	395 - 435	40,00	12xM16	360	
500 	505 - 540	68,00	20xM16	365	
600 	610 - 645	74,00	20xM16	365	
800 	810 - 845	98,00	24xM16	365	



USE:

- For connections and installation of fittings for pipelines made of different materials.
- Nominal diameter DN adaptor fits into many types of pipes thanks to the special gasket.
- The permissible angular deviation of the connected pipes up to 6°.

MATERIALS:

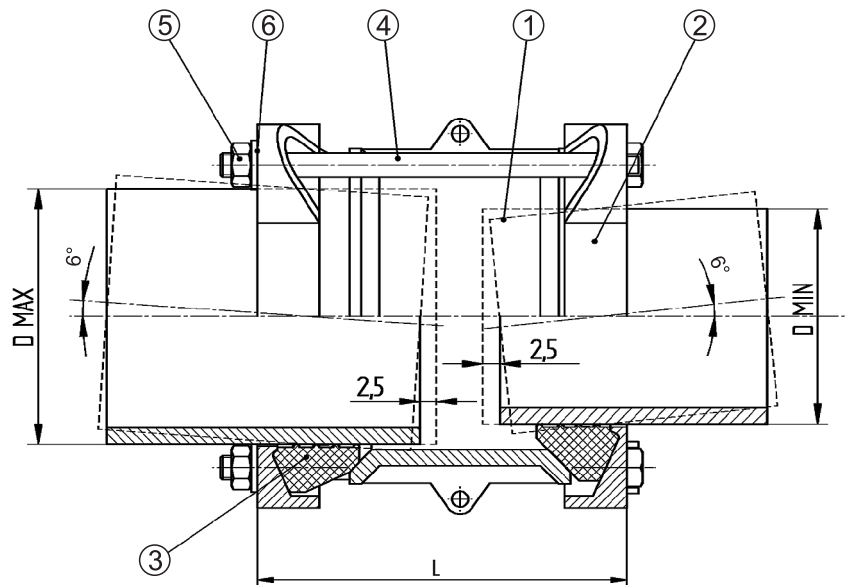
- 1,2 - body - ductile cast iron protected with epoxy powder coating,
- 3 - gasket - EPDM or NBR rubber,
- 4-6 - bolts, nuts and washers - galvanized steel, - optional: stainless steel.

The product has been certified as suitable for contact with potable water.

DN	Diameter [mm] Dmin-Dmax	Weight [kg]	Bolts	Length [mm] L	Product code
40/50	39 - 69	6,00	4xM12	150	
50	46 - 76	7,00	4xM12	150	
65	57 - 87	9,00	4xM12	150	
80	78 - 108	9,00	4xM12	150	
100	100 - 130	10,00	4xM12	150	
100/125	117 - 147	11,50	4xM12	150	
125/150	129 - 159	12,00	4xM12	150	
150	152 - 182	14,00	4xM16	150	
200	198 - 228	20,00	4xM16	150	
250	245 - 280	23,00	6xM16	190	
300	314 - 349	31,00	6xM16	200	



Wide range coupling "UNIVERSAL"



■ USE:

- For connections of pipes made of different materials and different outside diameters.
- The permissible angular deviation of the connected pipes up to 6°.

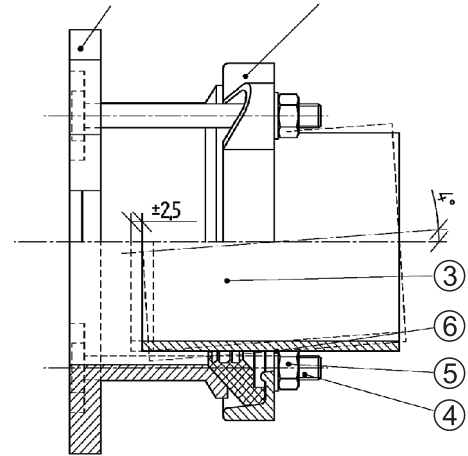
■ MATERIALS:

- 1,2 - body - ductile cast iron protected with epoxy powder coating,
- 3 - gasket - EPDM or NBR rubber,
- 4-6 - bolts, nuts and washers - galvanized steel, - optional: stainless steel.

The product has been certified as suitable for contact with potable water.

DN	Diameter [mm] Dmin-Dmax	Weight [kg]	Bolts	Length [mm] L	Product code
30	25 - 55	5,00	3xM12	200	
40	39 - 69	6,00	3xM12	200	
50	46 - 76	7,00	4xM12	200	
65	57 - 87	9,00	4xM12	200	
80	78 - 108	9,00	4xM12	200	
80/100	87 - 117	9,50	4xM12	200	
100	100 - 130	10,00	4xM12	200	
100/125	117 - 147	11,00	4xM12	200	
125	129 - 159	12,00	4xM12	200	
150	152 - 182	14,00	4xM16	200	
200	198 - 228	20,00	4xM16	200	
225	218 - 253	22,00	6xM16	220	
250	245 - 280	23,00	6xM16	240	
300	314 - 349	33,00	6xM16	290	

Medium range flange adaptor "UNIVERSAL BF/FL"



■ USE:

- For connections and installation of fittings for pipelines made of different materials. Nominal diameter DN adaptor fits into many types of pipes thanks to the special gasket.
- Allows for axial movement and angular deflection.
- The permissible angular deviation of the connected pipes up to 4°.
- Permissible axial displacement on gasket: ±2,5mm.

■ MATERIALS:

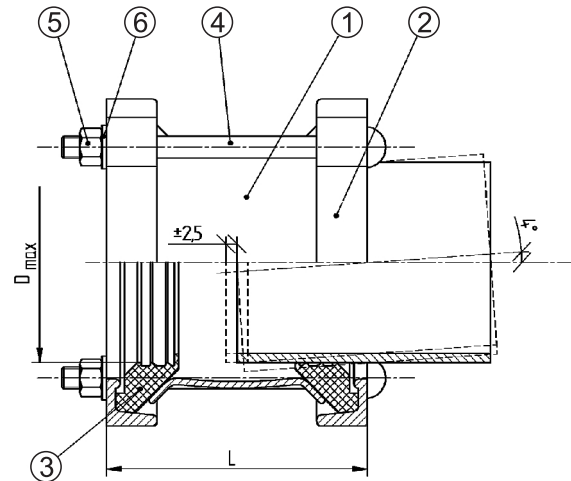
- 1,2 - body - ductile cast iron protected with epoxy powder coating,
- 3 - gasket – EPDM rubber,
- 4-6 - bolts, nuts and washers - galvanized steel, - optional: stainless steel.

The product has been certified as suitable for contact with potable water.

DN	Diameter [mm] Dmin-Dmax	Weight [kg]	Bolts	Length [mm] L	Product code
40	48-60	3,00	2xM12	100	
50	59-72	3,30	2xM12	100	
65	72-85	4,00	2xM12	100	
80	88-103	4,90	4xM12	105	
100	108-128	5,00	4xM12	105	
125/150	132-146	7,00	4xM12	105	
125/150	138-153	7,10	4xM12	105	
150	159-182	7,60	4xM12	105	
175/200	192-210	10,00	4xM12	105	
200	218-235	13,00	4xM12	105	
250	250-267	14,00	4xM12	115	
250	272-289	19,00	6xM12	115	
300	315-332	19,00	6xM12	115	
300	322-339	21,00	6xM12	115	
300	332-349	17,00	6xM12	115	
350	350-374	41,50	8xM16	120	
350	374-391	42,00	8xM16	120	
400	400-429	49,50	8xM16	120	
400	418-435	51,00	8xM16	120	
400	425-442	52,80	8xM16	120	
450	476-493	61,60	10xM16	140	
500	500-532	67,10	10xM16	140	
500	527-544	68,20	10xM16	140	
600	600-630	76,40	10xM16	140	
600	630-647	84,70	10xM16	140	



Medium range coupling "UNIVERSAL BF"



■ USE:

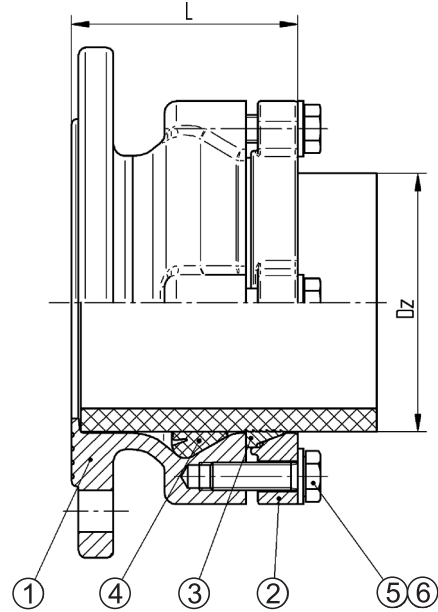
- For connections of pipes made of different materials and different outside diameters.
- Allows for axial movement and angular deflection. The permissible angular deviation of the connected pipes up to 4°.
- Permissible axial displacement on gasket: ±2,5mm.

■ MATERIALS:

- 1,2 - body - ductile cast iron protected with epoxy powder coating,
- 3 - gasket - EPDM rubber,
- 4-6 - bolts, nuts and washers- galvanized steel, - optional: stainless steel.

The product has been certified as suitable for contact with potable water.

DN	Diameter [mm] Dmin-Dmax	Weight [kg]	Bolts	Length [mm] L	Product code
50	59-72	3,20	2xM12	150	
65	72-85	3,20	2xM12	140	
80	88-103	4,20	4xM12	150	
100	108-128	5,10	4xM12	150	
125	132-146	5,90	4xM12	150	
125/150	138-153	6,50	4xM12	150	
150	159-182	7,70	4xM12	180	
175	192-210	9,10	4xM12	200	
200	218-235	9,90	4xM12	200	
250	250-267	14,50	6xM12	200	
250	272-289	16,50	6xM12	200	
300	315-332	23,50	8xM12	240	
300	322-339	29,00	6xM12	240	
300	332-349	30,00	6xM12	240	
300	352-368	31,00	6xM12	240	
350	374-391	33,00	8xM12	240	
400	400-429	38,50	6xM16	240	
400	418-435	40,00	6xM16	240	
400	425-442	40,70	6xM16	240	
450	476-493	47,30	10xM16	240	
500	500-532	35,00	10xM16	240	
500	527-544	53,90	10xM16	240	
600	600-630	41,00	10xM16	240	
600	630-647	41,00	10xM16	240	


■ USE:

→ For connections and installation of fittings on pipelines made of PVC or PE pipes.

■ MATERIALS:

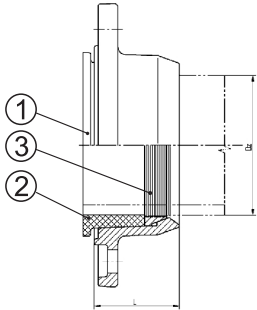
- 1,2 - body , flange - ductile cast iron protected with epoxy powder coating,
- 3 - grip ring - brass,
- 4 - gasket – EPDM or NBR rubber,
- 5,6 - bolts, washers - stainless steel,
- optional: hot dip galvanized steel.

The product has been certified as suitable for contact with potable water.

DN	Diameter [mm] Dz	Weight [kg]	Length [mm] L	Product code
50	63	3,50	90	
65	75	4,80	90	
80	90	5,10	95	
100	110	6,70	95	
100	125	7,20	100	
150	160	9,50	120	
150	180	9,90	120	
200	200	15,00	135	
200	225	15,00	135	
250	250	30,00	160	
250	280	23,00	155	
300	315	33,10	330	



Flange adaptor "FACILE"



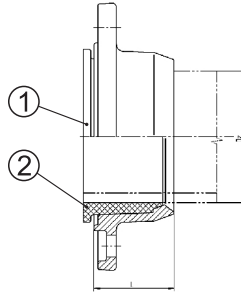
FACILE R (with restraining system)

USE:

→ Quick flange adaptor with restraining system for PVC/PE pipes.

MATERIALS:

- 1 - body - ductile cast iron protected with epoxy powder coating,
- 2 - gasket - EPDM or NBR rubber,
- 3 - grip ring - brass.



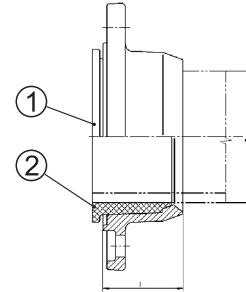
FACILE PVC (without restraining system)

USE:

→ Quick flange adaptor without restraining system for PVC/PE pipes.

MATERIALS:

- 1 - body - ductile cast iron protected with epoxy powder coating,
- 2 - gasket - EPDM or NBR rubber.



FACILE DI (without restraining system)

USE:

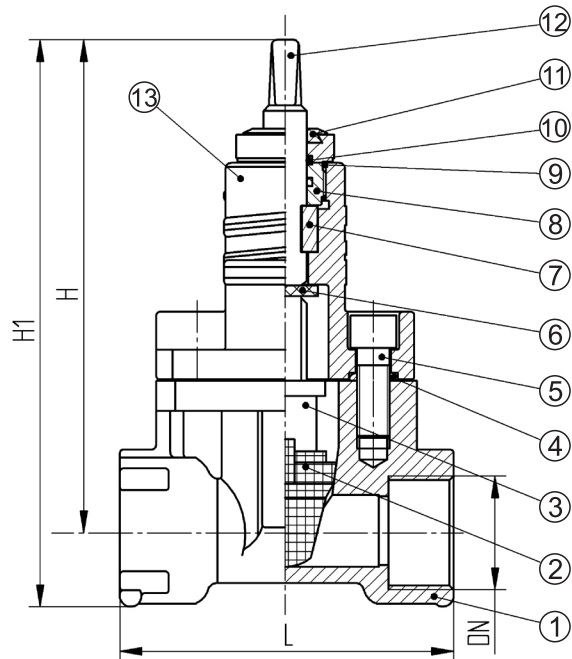
→ Quick flange adaptor without restraining system for cast iron pipes.

MATERIALS:

- 1 - body - ductile cast iron protected with epoxy powder coating,
- 2 - gasket - EPDM or NBR rubber.

The product has been certified as suitable for contact with potable water.

DN	Type	PN	Weight [kg]	Type	PN	Weight [kg]	Type	PN	Weight [kg]	Product code
50	PVC/PE 63	10/16	1,9	PVC/PE 63	10/16	1,8				
65	PVC/PE 75	10/16	2,4	PVC/PE 75	10/16	2,3				
80	PVC/PE 90	10/16	2,6	PVC/PE 90	10/16	2,5				
100	PVC/PE 110	10/16	3,3	PVC/PE 110	10/16	3,1	DCI 118	10/16	3,1	
125	PVC/PE 125	10/16	4,2	PVC/PE 125	10/16	4,0				
125	PVC/PE 140	10/16	4,3	PVC/PE 140	10/16	4,1				
150	PVC/PE 160	10/16	5,5	PVC/PE 160	10/16	5,2	DCI 170	10/16	5,6	
200	PVC/PE 200	10/16	8,1	PVC/PE 200	10/16	7,9	DCI 222	10/16	7,2	



USE:

- For installation of water supply household connections.
- Compliance with BS EN 545 and PN-92/M-740001.

MATERIALS:

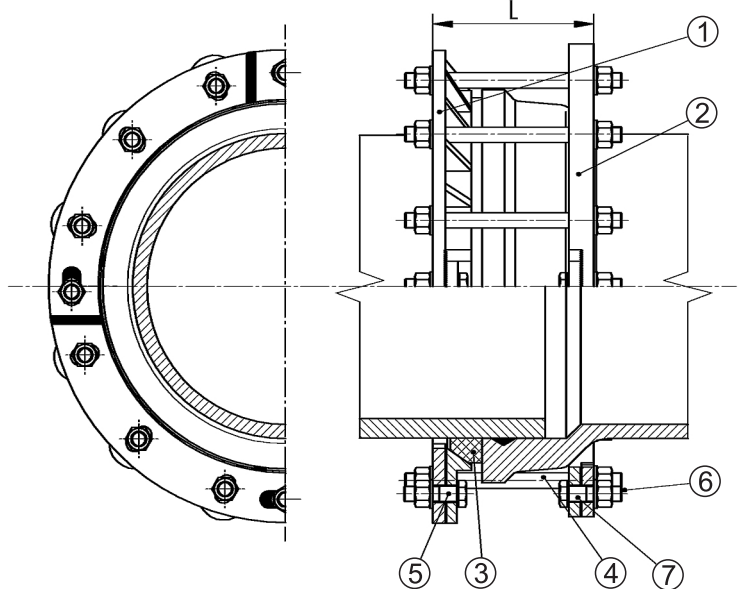
- 1 - body - ductile cast iron protected with epoxy powder coating,
- 2 - wedge coating-E PDM/NBR rubber,
- 3 - wedge - brass,
- 4 - o-ring - EPDM/NBR,
- 5 - bolt - galvanized steel,
- 6 - gasket - EPDM or NBR rubber,
- 7 - ring - brass,
- 8 - nut - brass,
- 9 - o-ring - EPDM/NBR,
- 10 - o-ring - EPDM/NBR,
- 11 - gasket - EPDM or NBR rubber,
- 12 - stem - stainless steel,
- 13 - cover - ductile cast iron protected with epoxy powder coating.

The product has been certified as suitable for contact with potable water.

DN	Diameter [mm]		Length [mm]		Weight [kg]	Product code
	L	H	H1	H		
1 1/4"	123	182	210		4,20	
2"	150	230	270		5,50	



Adjustable bell joint repair clamp „STOP”



■ USE:

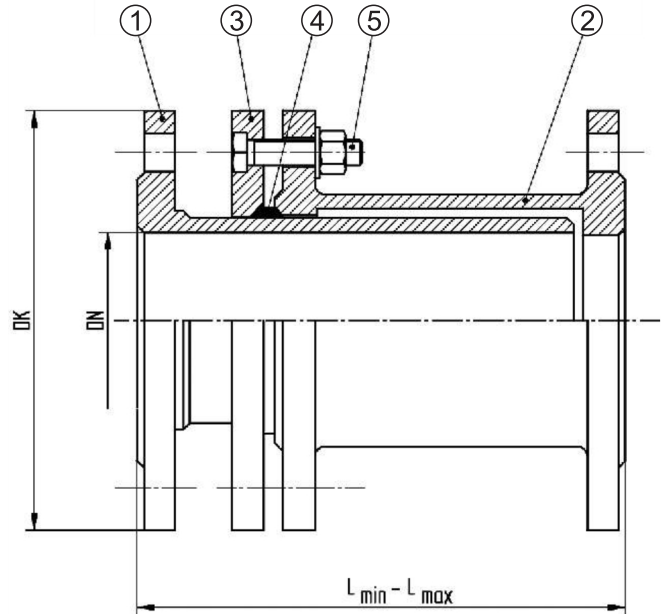
- Additional sealing of socket connections of cast iron pipes.

■ MATERIALS:

- 1,2 - body - ductile cast iron protected with epoxy powder coating,
- 3 - gasket - EPDM or NBR rubber,
- 4-7 - nuts and bolts - galvanized steel,
- optional: stainless steel.

The product has been certified as suitable for contact with potable water.

DN	Diameter [mm] Dmin - Dmax	Weight [kg]	Bolts	Length [mm] L	Product code
50	68 - 73	4,00	4	120	
60	77 - 82	6,50	6	120	
80	100 - 106	8,50	6	120	
100	120 - 126	10,50	6	180	
125	146 - 156	11,00	6	180	
150	172 - 180	12,00	6	180	
175	204 - 218	14,00	6	180	
200	224 - 240	16,00	8	180	
225	250 - 266	19,00	12	180	
250	276 - 294	23,00	12	180	
275	302 - 310	25,00	12	180	
300	328 - 346	27,00	12	180	
350	380 - 398	31,00	16	180	
400	432 - 458	37,00	15	180	
450	484 - 512	43,00	15	180	
500	536 - 564	46,00	20	180	
600	638 - 666	62,00	25	180	
700	740 - 770	65,00	25	180	
800	846 - 886	78,00	32	180	
900	945 - 985	94,00	32	180	
1000	1050 - 1092	94,00	36	180	
1200	1235 - 1329	139,00	40	180	



USE:

- To adjust the length of the pipeline during the installation of the flange fittings and to secure the pipeline in presence of stress in the network.

MATERIALS:

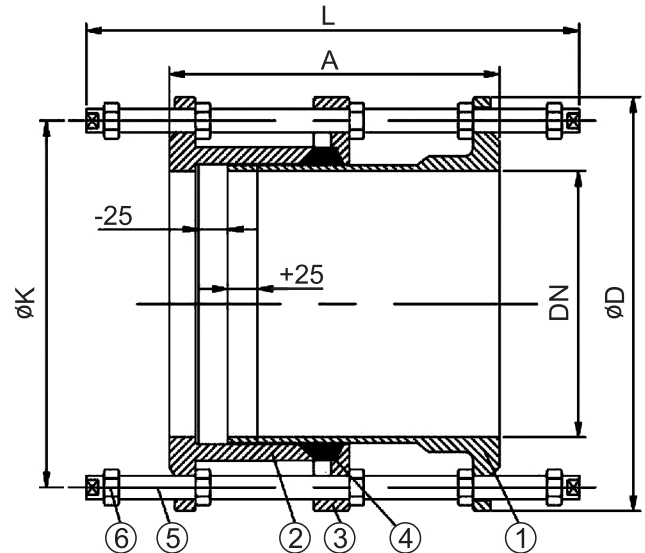
- 1-3 - body - ductile cast iron protected with epoxy powder coating,
- 4 - gasket - EPDM rubber,
- 5 - bolts, nuts and washers - galvanized steel, - optional: stainless steel.

The product has been certified as suitable for contact with potable water.

DN	Length [mm] Lmin - Lmax	Flange DK	Weight [kg]	Product code
50	223 - 340	165	12,00	
65	226 - 345	200	15,00	
80	226 - 345	200	15,00	
100	290 - 465	220	22,00	
150	320 - 520	285	34,00	



Dismantling joints "DJ - F3"



USE:

- Water supply networks. Flanged connections of pipes of the same diameter. Used to facilitate assembly and disassembly of the fittings.

MATERIALS:

- 1 - body - ductile cast iron protected with epoxy powder coating,
- 2 - flange - ductile cast iron protected with epoxy powder coating,
- 3 - retaining flange - ductile cast iron protected with epoxy powder coating,
- 4 - gasket - EPDM rubber,
- 5,6 - bolts and nuts - galvanized steel,
- optional: stainless steel.

The product has been certified as suitable for contact with potable water.

DN	PN10			PN16			Product code
	Length [mm] A	Diameter [mm] D	Diameter [mm] K	Length [mm] A	Diameter [mm] D	Diameter [mm] K	
80	200	200	160	200	200	160	
100	200	220	180	200	220	180	
125	200	250	210	200	250	210	
150	200	285	240	200	285	240	
200	220	340	295	220	340	295	
250	220	400	350	230	400	355	
300	220	455	400	250	455	410	
350	230	505	460	260	520	470	
400	230	565	515	270	580	525	
450	250	615	565	270	640	585	
500	260	670	620	280	715	650	
600	260	780	725	300	840	770	
700	260	895	840	300	910	840	
800	290	1010	950	320	1025	950	
900	290	1115	1050	320	1125	1050	
1000	290	1230	1160	340	1255	1170	
1200	320	1455	1380	360	1485	1390	

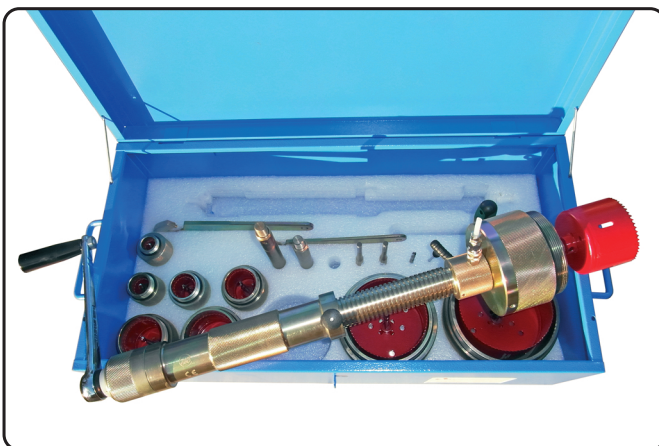


■ Drilling Machine is a machine for under pressure tapping of water or gas mains. The machine is made of galvanized steel for corrosion protection. It features a simple yet sturdy design and has a wide range of use. The machine is capable of drilling holes from DN 25 to DN 150 for derivations from gas and water pipes with working pressure up to 12 bars. The machine will make a quality tap in every type of material, provided the appropriate drilling core bit is selected. The advantage of the machine is its capability to control and maintain a steady pressure of the drill onto the pipe. This can be done thanks to the special pressing clutch spring which ensures fast drilling with low effort. The drilled material does not crumble and it is totally recovered after the tapping is completed since the pressure onto the pipe is evenly distributed. The machine can perform tapping in every position, and it can work on threaded and flanged pipes. The machine is driven manually with a ratchet wrench. The tool is delivered in a steel box.

■ WORK DESCRIPTION

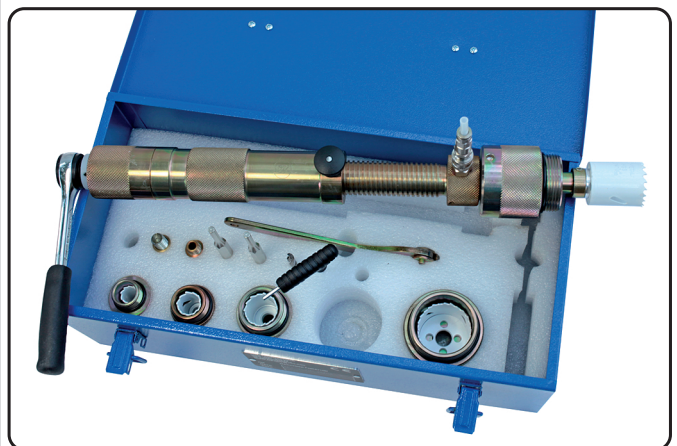
→ UNIVERSALE TYP 22

Diameter range: from 1" to 6"
Effective feed: 220 mm
Maximum drilling depth: 600 mm
Standard version: operated manually with a ratchet wrench (crank handle).



→ UNIVERSALE TYP 20

Diameter range: from 1/2" to 2"
Effective feed: 160 mm
Maximum drilling depth: 360 mm
Standard version: operated manually with a ratchet wrench (crank handle).

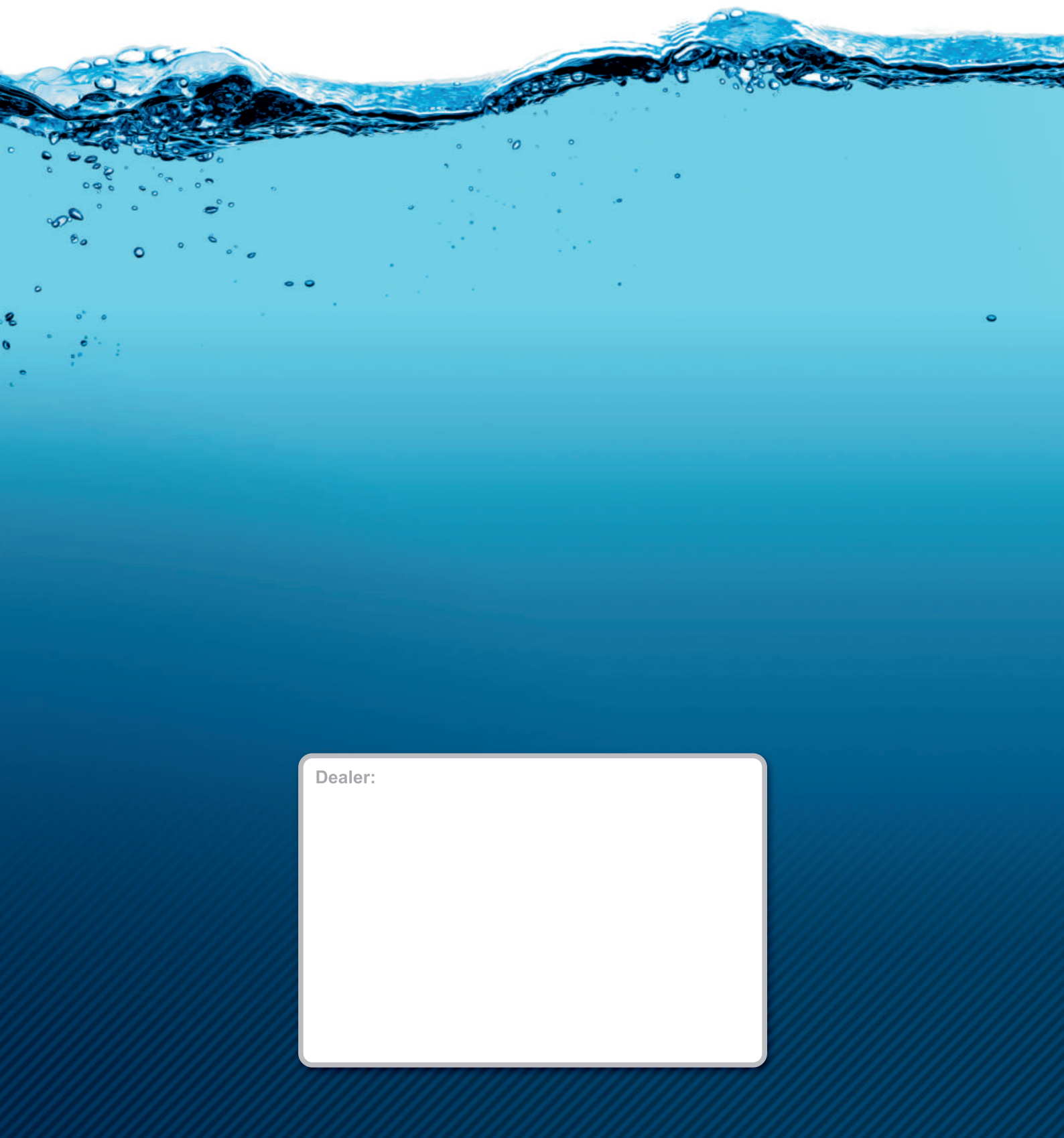


■ The package includes:

- 1 - body
- 2 - drilling core bits for steel and cast iron with diameters from 22 mm to 140 mm with pilot
- 3 - body extensions
- 4 - ratchet wrench with a crank handle
- 5 - set of wrenches and screwdrivers needed for proper use of the tool.

The tool can also accept a pneumatic or hydraulic drive that can be fitted instead of the ratchet wrench without any modifications.

IGE Sp. z o.o.
58-250 Pieszycy
ul. Sienkiewicza 2
tel.: + 48 74 83 65 701
tel.: + 48 74 83 65 207
tel.: + 48 74 83 66 912
email: biuro@ige.net.pl
www.ige.net.pl



Dealer:

A large, empty white rectangular box with rounded corners and a thin grey border, intended for a dealer's name or contact information.