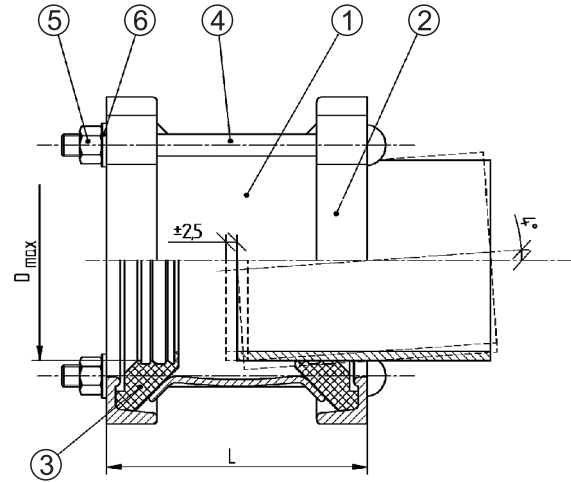




## Medium range coupling "UNIVERSAL BF"



### ■ USE:

- For connections of pipes made of different materials and different outside diameters.
- Allows for axial movement and angular deflection. The permissible angular deviation of the connected pipes up to 4°.
- Permissible axial displacement on gasket: ±2,5mm.

### ■ MATERIALS:

- 1,2 - body - ductile cast iron protected with epoxy powder coating,
- 3 - gasket - EPDM rubber,
- 4-6 - bolts, nuts and washers- galvanized steel, - optional: stainless steel.

The product has been certified as suitable for contact with potable water.

DN	Diameter [mm] Dmin-Dmax	Weight [kg]	Bolts	Length [mm] L	Product code
50	59-72	3,20	2xM12	150	
65	72-85	3,20	2xM12	140	
80	88-103	4,20	4xM12	150	
100	108-128	5,10	4xM12	150	
125	132-146	5,90	4xM12	150	
125/150	138-153	6,50	4xM12	150	
150	159-182	7,70	4xM12	180	
175	192-210	9,10	4xM12	200	
200	218-235	9,90	4xM12	200	
250	250-267	14,50	6xM12	200	
250	272-289	16,50	6xM12	200	
300	315-332	23,50	8xM12	240	
300	322-339	29,00	6xM12	240	
300	332-349	30,00	6xM12	240	
300	352-368	31,00	6xM12	240	
350	374-391	33,00	8xM12	240	
400	400-429	38,50	6xM16	240	
400	418-435	40,00	6xM16	240	
400	425-442	40,70	6xM16	240	
450	476-493	47,30	10xM16	240	
500	500-532	35,00	10xM16	240	
500	527-544	53,90	10xM16	240	
600	600-630	41,00	10xM16	240	
600	630-647	41,00	10xM16	240	