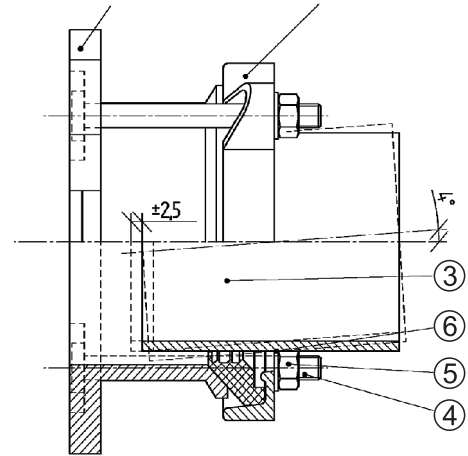


Medium range flange adaptor "UNIVERSAL BF/FL"



■ USE:

- For connections and installation of fittings for pipelines made of different materials. Nominal diameter DN adaptor fits into many types of pipes thanks to the special gasket.
- Allows for axial movement and angular deflection.
- The permissible angular deviation of the connected pipes up to 4°.
- Permissible axial displacement on gasket: ±2,5mm.

■ MATERIALS:

- 1,2 - body - ductile cast iron protected with epoxy powder coating,
- 3 - gasket – EPDM rubber,
- 4-6 - bolts, nuts and washers - galvanized steel, - optional: stainless steel.

The product has been certified as suitable for contact with potable water.

DN	Diameter [mm] Dmin-Dmax	Weight [kg]	Bolts	Length [mm] L	Product code
40	48-60	3,00	2xM12	100	
50	59-72	3,30	2xM12	100	
65	72-85	4,00	2xM12	100	
80	88-103	4,90	4xM12	105	
100	108-128	5,00	4xM12	105	
125/150	132-146	7,00	4xM12	105	
125/150	138-153	7,10	4xM12	105	
150	159-182	7,60	4xM12	105	
175/200	192-210	10,00	4xM12	105	
200	218-235	13,00	4xM12	105	
250	250-267	14,00	4xM12	115	
250	272-289	19,00	6xM12	115	
300	315-332	19,00	6xM12	115	
300	322-339	21,00	6xM12	115	
300	332-349	17,00	6xM12	115	
350	350-374	41,50	8xM16	120	
350	374-391	42,00	8xM16	120	
400	400-429	49,50	8xM16	120	
400	418-435	51,00	8xM16	120	
400	425-442	52,80	8xM16	120	
450	476-493	61,60	10xM16	140	
500	500-532	67,10	10xM16	140	
500	527-544	68,20	10xM16	140	
600	600-630	76,40	10xM16	140	
600	630-647	84,70	10xM16	140	