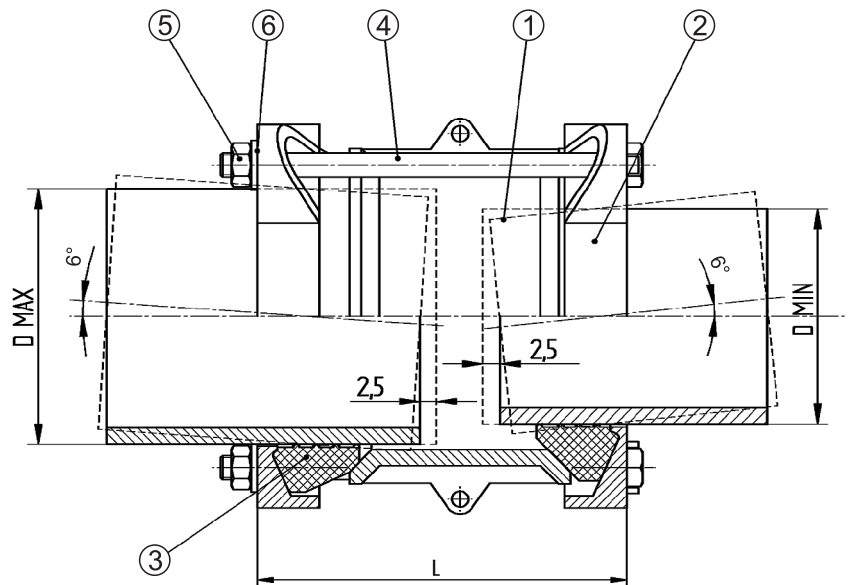




## Wide range coupling "UNIVERSAL"



### ■ USE:

- For connections of pipes made of different materials and different outside diameters.
- The permissible angular deviation of the connected pipes up to 6°.

### ■ MATERIALS:

- 1,2 - body - ductile cast iron protected with epoxy powder coating,
- 3 - gasket - EPDM or NBR rubber,
- 4-6 - bolts, nuts and washers - galvanized steel, - optional: stainless steel.

The product has been certified as suitable for contact with potable water.

| DN      | Diameter [mm]<br>Dmin-Dmax | Weight [kg] | Bolts | Length [mm]<br>L | Product code |
|---------|----------------------------|-------------|-------|------------------|--------------|
| 30      | 25 - 55                    | 5,00        | 3xM12 | 200              |              |
| 40      | 39 - 69                    | 6,00        | 3xM12 | 200              |              |
| 50      | 46 - 76                    | 7,00        | 4xM12 | 200              |              |
| 65      | 57 - 87                    | 9,00        | 4xM12 | 200              |              |
| 80      | 78 - 108                   | 9,00        | 4xM12 | 200              |              |
| 80/100  | 87 - 117                   | 9,50        | 4xM12 | 200              |              |
| 100     | 100 - 130                  | 10,00       | 4xM12 | 200              |              |
| 100/125 | 117 - 147                  | 11,00       | 4xM12 | 200              |              |
| 125     | 129 - 159                  | 12,00       | 4xM12 | 200              |              |
| 150     | 152 - 182                  | 14,00       | 4xM16 | 200              |              |
| 200     | 198 - 228                  | 20,00       | 4xM16 | 200              |              |
| 225     | 218 - 253                  | 22,00       | 6xM16 | 220              |              |
| 250     | 245 - 280                  | 23,00       | 6xM16 | 240              |              |
| 300     | 314 - 349                  | 33,00       | 6xM16 | 290              |              |