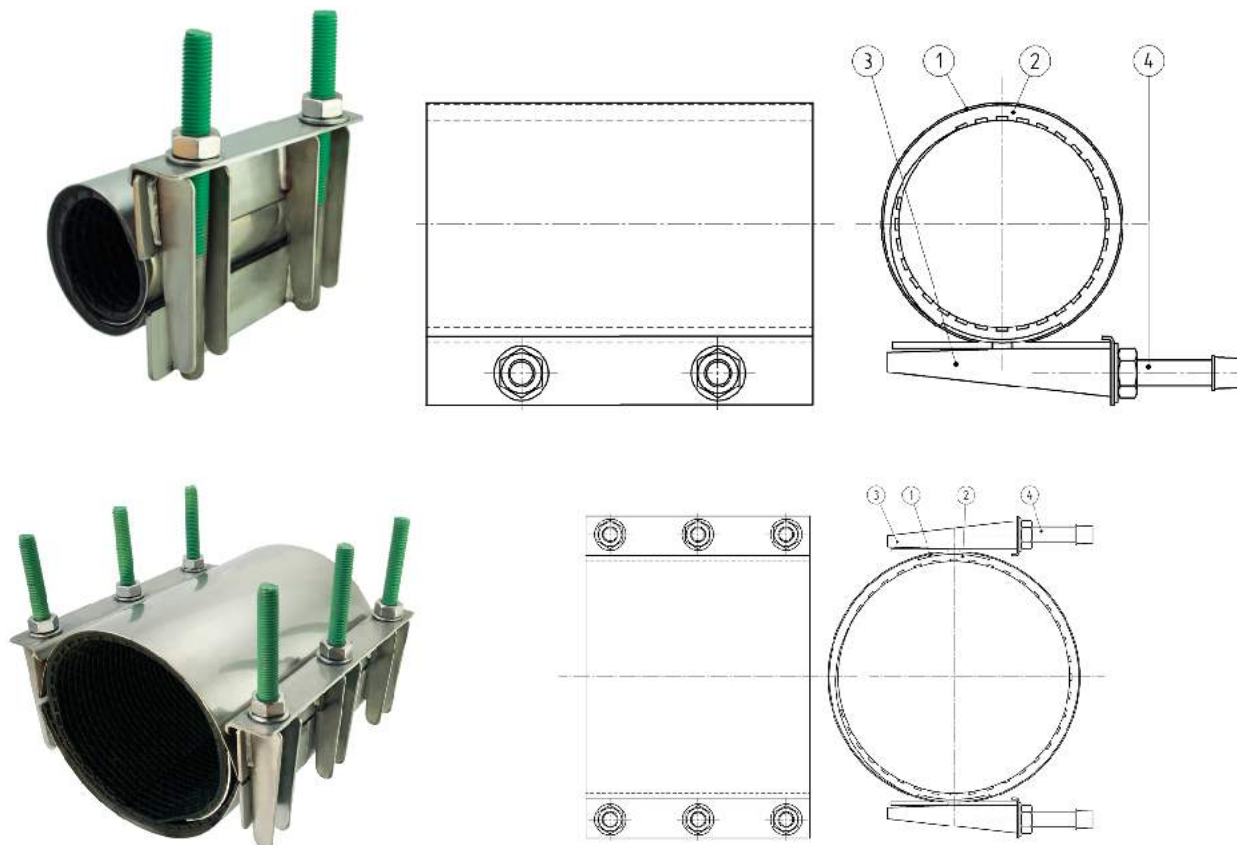


## Repair clamp "ETERNO"



### USE:

- For repair of pipelines in water supply networks.

### MATERIALS:

- 1 - band - stainless steel,
- 2 - gasket - EPDM or NBR rubber,
- 3 - tension lock - stainless steel,
- 4 - bolts washers, nuts - galvanized steel,  
- optional: nuts and bolts - stainless steel.

The product has been certified as suitable for contact with potable water.

Sample sizes of bands

DN	Diameter [mm] D <sub>min</sub> - D <sub>max</sub>	Weight [kg]	Number of bolts	Length [mm] L	Type of band	Product code
50	60 - 67	1,45	2	150	piece	
80	87 - 95	1,60	2	150	piece	
100	108 - 118	2,10	2	200	piece	
125	132 - 142	2,30	2	200	piece	
150	159 - 170	2,50	2	200	piece	
175	186 - 196	2,70	2	200	piece	
200	215 - 225	3,95	2	200	piece	
250	261 - 271	7,00	6	300	two-piece	
300	315 - 335	7,50	6	300	two-piece	
350	360 - 380	7,70	6	300	two-piece	
400	400 - 420	8,50	6	400	two-piece	
500	500 - 520	9,20	6	400	two-piece	